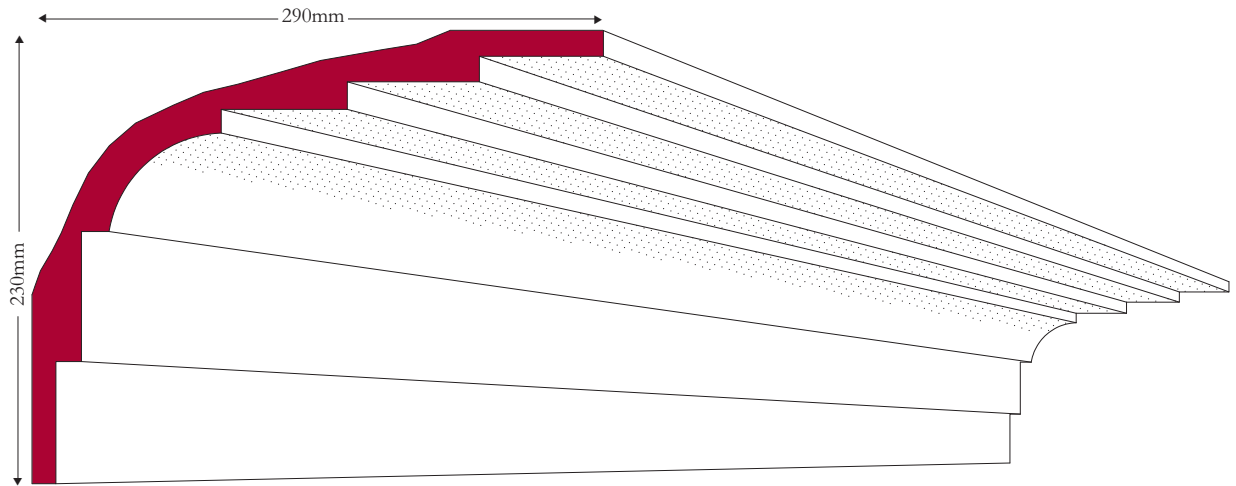
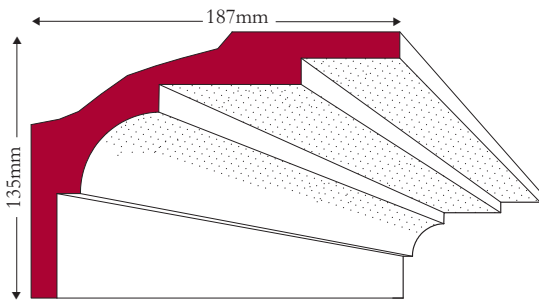


HODKIN & JONES

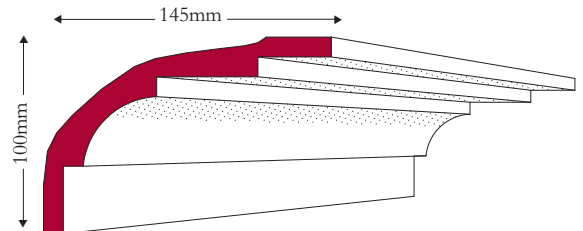
FINE ARCHITECTURAL MOULDINGS SINCE 1868



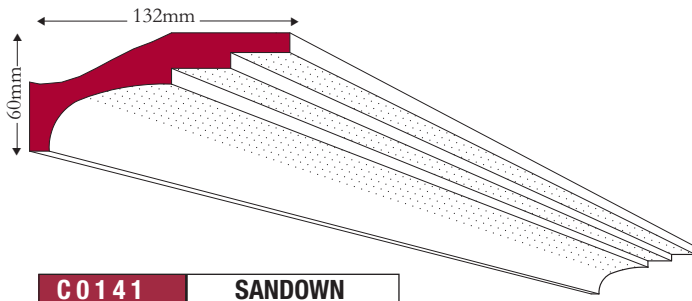
C0139 LARGE MAYFAIR



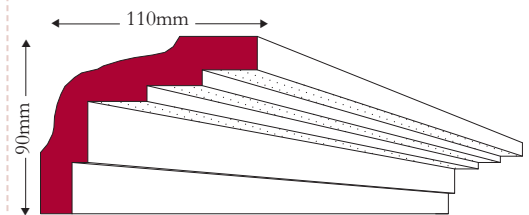
C0134 MEDIUM MAYFAIR



C0163 SMALL MAYFAIR



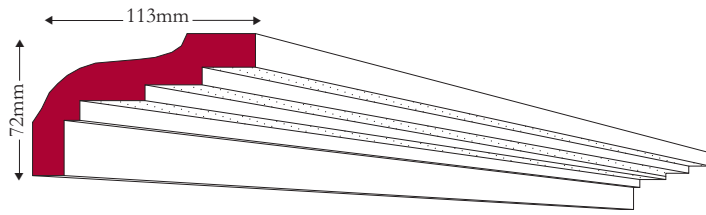
C0141 SANDOWN



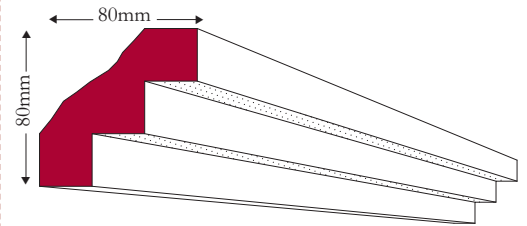
C0142 ASCOT



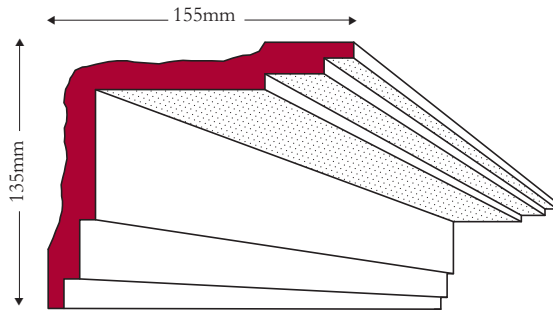
CONTEMPORARY CORNICE
COLLECTION



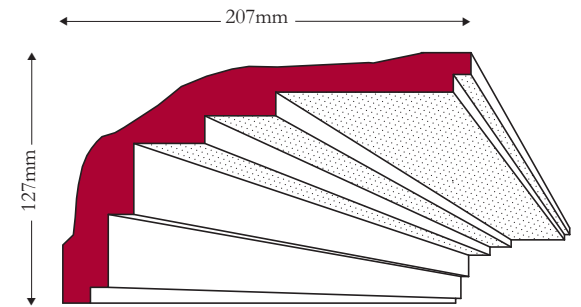
C0145 **WALTON**



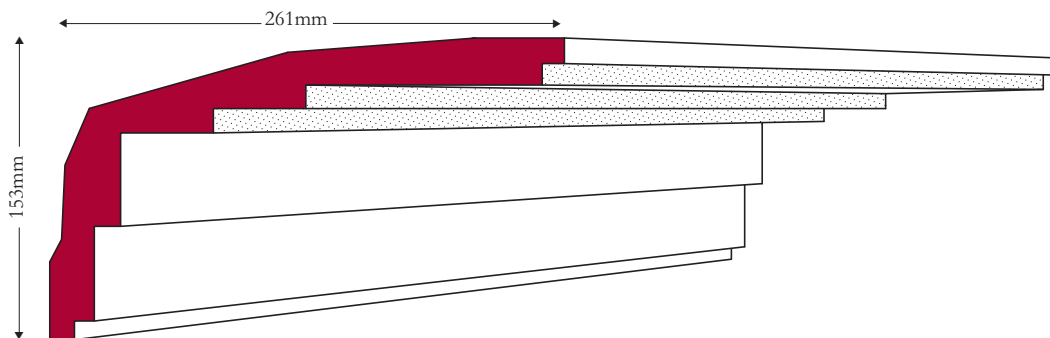
C0140 **CLAREMONT**



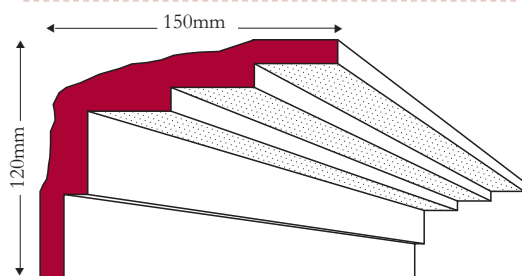
C0155 **SUNNINGHILL**



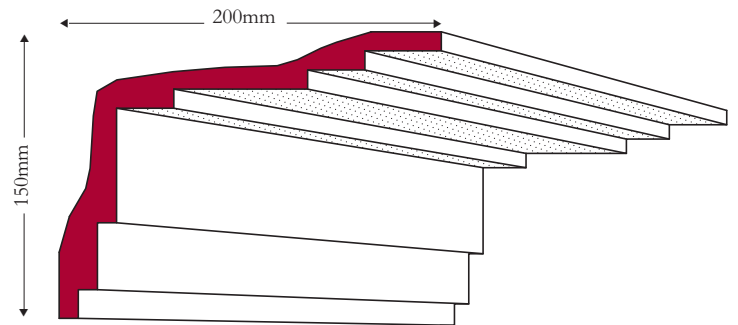
C0160 **WENTWORTH**



C0165 **RICHMOND**



C0161 **VIRGINIA**



C0162 **BURWOOD**

HODKIN & JONES

FINE ARCHITECTURAL MOULDINGS SINCE 1868

Head Office, Showroom & Works: Callywhite Lane, Dronfield, Sheffield S18 2XP.
Telephone: 01246 290890 Fax: 01246 290292 E-mail: sales@hodkin-jones.co.uk

Web: www.hodkin-jones.co.uk

Customer Service Helpline: 0870 4441791

CONTEMPORARY CORNICES